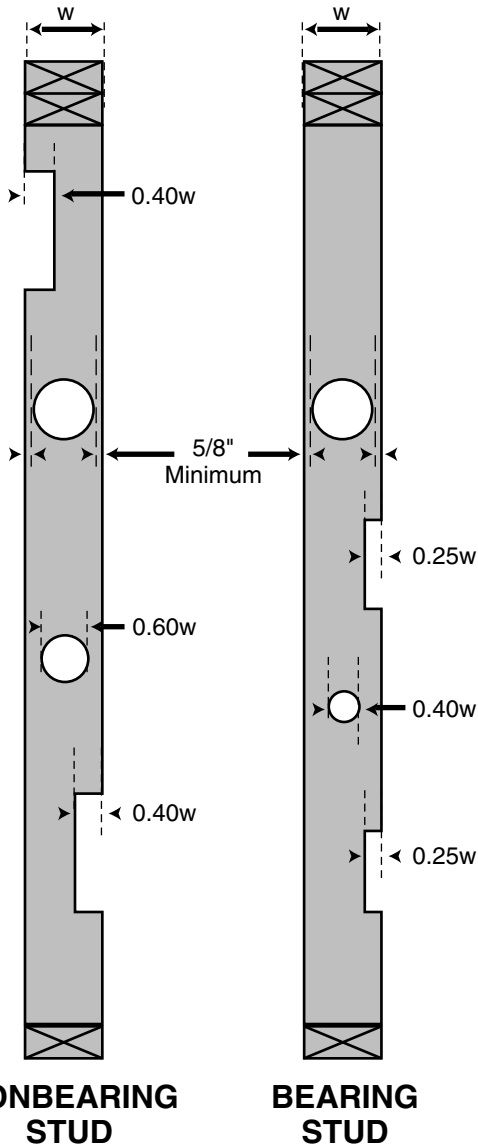
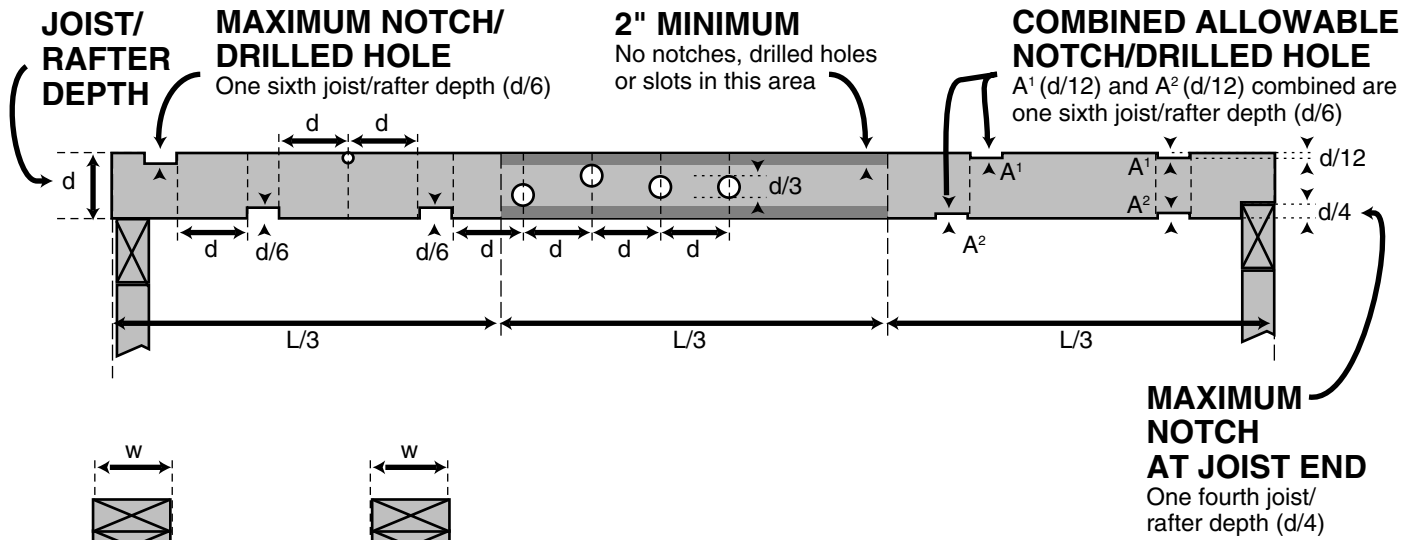


Notching and Hole Boring Information Sheet



Allowable notch and bored hole dimensions							
Joists/rafters					Studs		
					Bearing	Both	Non-bearing
Nominal	Actual	d/6	d/4	d/3	0.25w	0.40w	0.60w
4"	3-1/2	5/8	7/8	1-1/8	7/8	1-3/8	2-1/8
6"	5-1/2	7/8	1-3/8	1-7/8	1-3/8	2-1/4	3-1/4
8"	7-1/4	1-1/4	1-7/8	2-3/8	1-7/8	2-7/8	4-3/8
10"	9-1/4	1-1/2	2-3/8	3-1/8			
12"	11-1/4	1-7/8	2-7/8	3-3/4			
14"	13-1/4	2-1/4	3-3/8	4-3/8			

General notes:

1. Holes, notches and slots are **not** to be located adjacent to unsound or loose knots.
2. Preferred location of notch is at top of member.